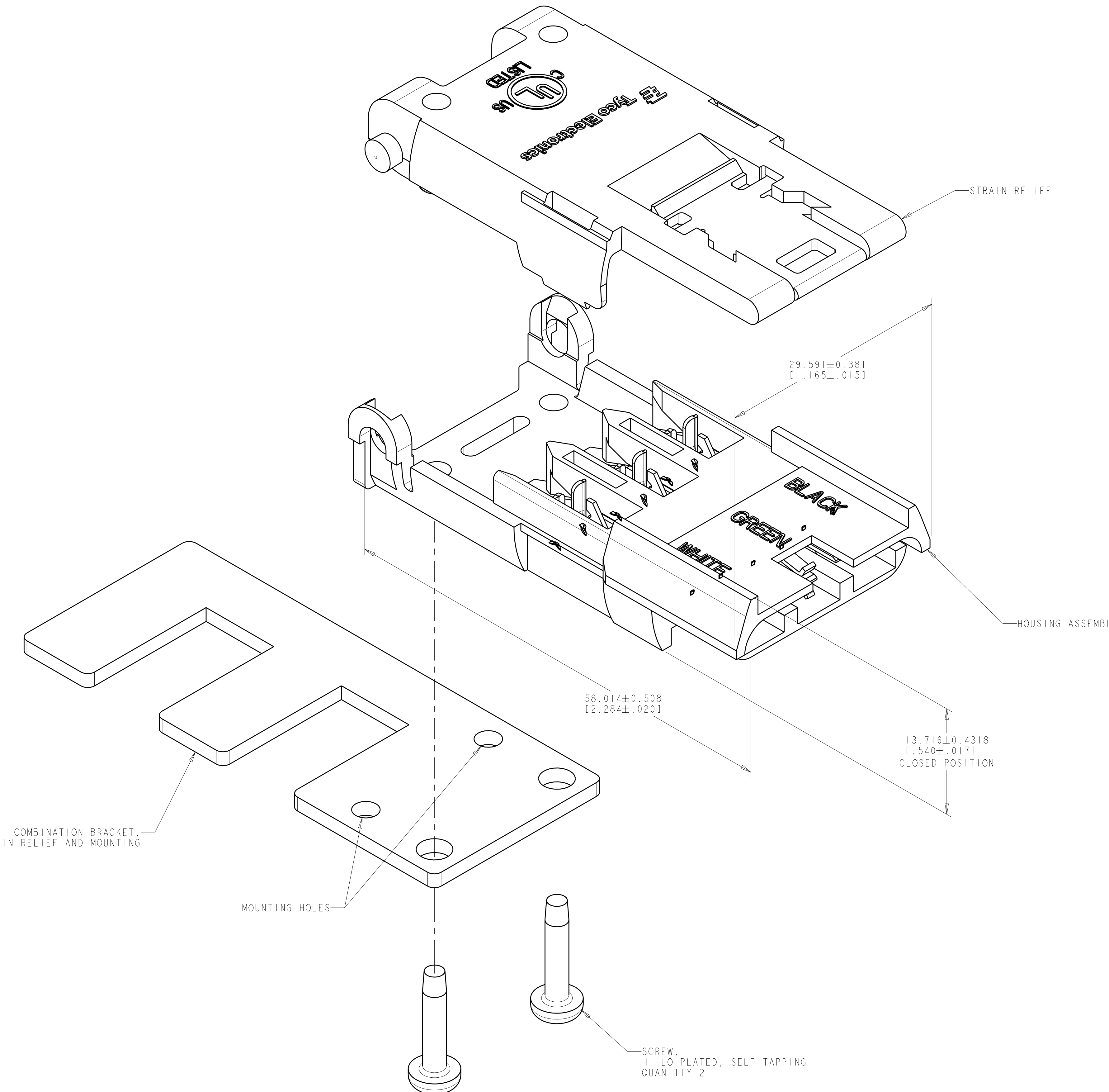


LOC	DIST	REVISIONS			
		REV	DATE	BY	APPD
HM	00	C	REV: EC 0B40-0048-99	17DEC99	GG FL
		D	REV: ECO-08-019102	23MAY2006	GG SJ



- 1 MATERIAL: HOUSING ASSEMBLY - CONTACTS, TIN PLATED COPPER ALLOY; HOUSING, POLYCARBONATE MOLDING COMPOUND SOFT WHITE; STRAIN RELIEF - POLYCARBONATE MOLDING COMPOUND, CLEAR; COMBO BRACKET - PREGALVANIZED CARBON STEEL.
- 2. WIRE RANGE AND TYPE: 12 & 14 AWG SOLID COPPER WIRE ONLY, NONMETALLIC SHEATHED CABLE.
- 3. CONTACTS ASSEMBLED IN HOUSING.
- 4 KIT PACKAGED BULK: 500 HOUSING/CONTACT ASSEMBLIES IN A POLYBAG, 500 STRAIN RELIEFS IN A POLYBAG, 500 COMBO BRACKETS IN A BAG, 1000 SCREWS IN A BAG, ONE BAG OF EACH PACKAGED IN AN OUTER POLYBAG WITH 1 INSTRUCTION SHEET 408-4504, 5 OUTER POLYBAGS PACKAGED IN A BOX.
- 5 KIT PACKAGED INDIVIDUALLY: 1 HOUSING/CONTACT ASSEMBLY, 1 STRAIN RELIEF, 1 COMBO BRACKET, 2 SCREWS AND 1 INSTRUCTION SHEET 408-4504-1 IN A WHITE BACKGROUND POLYBAG, 100 KITS PACKAGED IN A BOX.
- 6 KIT PACKAGED BULK: 100 HOUSING/CONTACT ASSEMBLIES IN A POLYBAG, 100 STRAIN RELIEFS IN A POLYBAG, 100 COMBO BRACKETS IN A BAG, 200 SCREWS IN A BAG, ONE BAG OF EACH PACKAGED IN AN OUTER POLYBAG WITH 1 INSTRUCTION SHEET 408-4504, 5 OUTER POLYBAGS PACKAGED IN A BOX.

6	1116377-3
5	1116377-2
4	1116377-1
DESCRIPTION	PART NO

<small>THIS DRAWING IS UNPUBLISHED. RELEASED FOR PUBLICATION. THIS DRAWING IS UNPUBLISHED. RELEASED FOR PUBLICATION. THIS DRAWING IS UNPUBLISHED. RELEASED FOR PUBLICATION. THIS DRAWING IS UNPUBLISHED. RELEASED FOR PUBLICATION. THIS DRAWING IS UNPUBLISHED. RELEASED FOR PUBLICATION.</small>		DWN L. SMITH 07AUG98 CHK F. LINCOLN 28OCT98 APVD F. LINCOLN 28OCT98	AMP Incorporated Harrisburg, PA 17105-3608
DIMENSIONS: mm [ INCHES ]	TOLERANCES UNLESS OTHERWISE SPECIFIED: 0 PLC ± 1 PLC ± 2 PLC ± 3 PLC ± 4 PLC ± ANGLES ±	NAME KIT, NMC CONNECTOR, 2 COND+GND, 12 AND 14 AWG SOLID COPPER PRODUCT SPEC APPLICATION SPEC	SIZE CAGE CODE DRAWING NO RESTRICTED TO A 100779 C=1116377
MATERIAL	FINISH	WEIGHT	SCALE 4:1 SHEET 1 OF 1 REV D
CUSTOMER DRAWING			